

## CURTAIN WALLING SYSTEMS

AluK curtain walling systems have been specified and installed in some of the world's most prestigious buildings. Our unique lightweight solutions offer building designers the flexibility to create the structures they desire, whilst maintaining the performance and functionality demanded by modern buildings.

Combining strong but lightweight aluminium profiles with glazed sections, our systems can be faceted, curved or angled to create the desired finish, whilst offering maximum light transmission into the building with minimum profile sightlines.

All profiles are thermally broken to ensure maximum performance and systems include a wide range of features to provide complete design flexibility. These include a capped system and a structurally bonded system with lighting options, a range of doors, multiple drainage methods and face caps and a multitude of opening configurations including Parallel Opening Vent (POV), Tilt Before Turn (TBT), Side Hung and Top Hung.

AluK curtain walling systems can be built to accommodate large single span atriums using our large range of box sizes from 50mm to 350mm, offering large expanses of uninterrupted glazing. Systems are available in Steel-look, Alu-timber and Alu-steel finishes, as well as a complete range of colours.

Our experienced technical team is available to support developers and specifiers at every step of the way, from design to installation, and with complete design flexibility we can accommodate the look that you want to achieve.



**CURTAIN WALLING SYSTEMS**





## SL52 CURTAIN WALLING SYSTEM

Designed to offer a flexible, high performance solution, the SL52 Curtain Walling System is a capped solution that enables specifiers to create impressive façades that not only enhance the aesthetics of a building but also provide the functionality and performance required to meet and exceed current standards.

### DESIGN FEATURES

- 52mm capped high rise curtain walling system
- Glass loads of up to 400kg
- Can be faceted, curved or angled
- Various drainage methods including mullion and zonal
- Wide range of face caps to meet your design requirements
- Fully integrated vent options including POV, TBT, Top Hung, Side Hung, Fixed Light
- Large range of box sizes to optimise small to large spans of glazing
- CWCT Certified

### OPTIONS

- Standard, Steel-look and Alu-steel framing options available
- Glazing and infill range from 6mm - 50mm
- Fully integrates with all AluK window and door ranges
- Available in single or dual colour option, polyester powder coating and anodised finishes

### CONFIGURATIONS

- Flexible design allows SL52 to be tailored to suit your project needs
- Multiple construction options including traditional shearblock T-connectors, front loaded transoms with sprung T-connectors and special profiles that achieve semi-united off-site construction
- Concealed mullion drainage options and visible zonal drainage option
- Varying mullion depths allowing a wide range of achievable Ixx values
- Wide range of mullion depths ensures maximum structural optimisation



## SL52 CURTAIN WALLING TECHNICAL SPECIFICATIONS

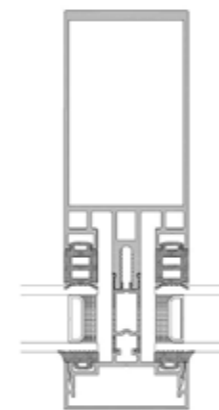
The SL52 system is thermally broken and has been designed to offer flexibility in specification and installation. A complete range of configurations and options are available to meet the needs of your project's aesthetics and performance. These include a wide selection of cap designs and the incorporation of fixed lights,

opening vents and an extensive range of doors. The system is available in any RAL colour and can be dual colour (inside and out) if required. Anodised finishes are also available with marine grade guarantees on request.

SPECIFICATIONS	CAPPED SYSTEM
<b>Performance &amp; Accreditation</b>	
Uf-Value (Double Glazing)*	1.297 W/m²K - 1.334 W/m²K
Uf-Value (Triple Glazing)**	1.206 W/m²K - 0.88 W/m²K
Green Guide Rating	B - C Rated
Acoustic Performance (dB)	Rw (C,Ctr) 37 (-1;-4) dB
Air Tightness (Pa)	Class 4
Water Tightness (Pa)	Class E1050
Wind Load (Pa)	Class E2400
Security	npd
CWCT Certified	Yes
<b>Configurations</b>	
Opening	Open In & Open Out
Top Hung	●
Side Hung	●
Fixed Light	●
Tilt & Turn	●
Parrallel Opening Vent	●
Single Door	●
Double Door	●
Sliding Door	●
<b>Size Limits</b>	
Max Vent Weight	--
Top Hung	90 Kg
Side Hung	130 Kg
Fixed Light	200 Kg
Tilt & Turn	130 Kg
<b>System Features</b>	
Frame Options	52mm
Dual Colour Option	●
Multi-Point Locking	●
Glazing Options	Capped
Glazing Thickness	6mm - 50mm

## CAD CROSS SECTIONS AND THERMAL PROFILES

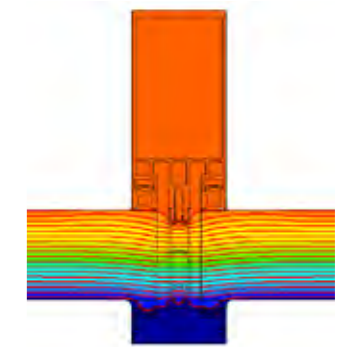
Mullion Detail



Transom Detail



Thermal Profile



\* Further details regarding profile Uf figures are available on request (technical@aluk.co.uk). \*\* Uf-Values based on using 0.7 W/m²K triple glazing with warm edge Swisspacer V bar. Sound insulation values are Rw reduction values and are based on tests using acoustic glazing.

Please note: NBS Specifications are available for all products and BIM Components for many. Please visit [www.aluk.co.uk](http://www.aluk.co.uk) to download CAD files, BIM Components and NBS Specifications.



**SG52 CURTAIN WALLING SYSTEM**

The SG52 Curtain Walling System is a flexible and high performance structurally bonded system which enables specifiers to create impressive continual expanses of glass that not only enhance the aesthetics of a building but also provide the functionality and performance required to meet and exceed current standards.

**DESIGN FEATURES**

- Structurally bonded finish to minimise external sightlines
- 52mm high rise curtain walling system
- Several drainage methods including mullion and zonal
- Fully integrated vent options including POV, TBT and Top Hung
- Large range of box sizes to optimise small to large spans of glazing
- CWCT Certified

**OPTIONS**

- Standard, Steel-look, and Alu-steel framing options available
- Glazing and infill range from 32mm - 40mm as standard
- Fully integrates with Aluk window and door ranges
- Available in a range of polyester powder coating and anodised finishes

**CONFIGURATIONS**

- Flexible design allows SG52 to be tailored to suit your project needs
- Multiple construction options including traditional shearblock T-connectors, front loaded transoms with sprung T-connectors and special profiles that achieve semi-unitised off-site construction
- Varying mullion depths allowing a wide range of achievable lxx values
- Mullion depths ensures maximum structural optimisation



**SG52 CURTAIN WALLING TECHNICAL SPECIFICATIONS**

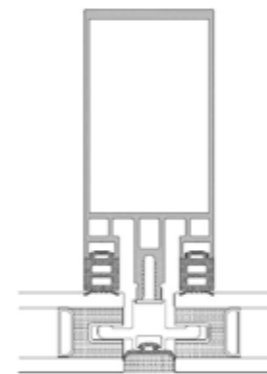
The SG52 system is thermally broken and has been designed to offer flexibility in specification and installation to create wide expanses of glass façades. A complete range of configurations and options are available to meet the needs of your project's aesthetics and performance. These include the incorporation of

fixed lights, opening vents and a wide range of doors. The system is available in any RAL colour and can be dual colour (inside and out) if required. Anodised finishes are also available with marine grade guarantees on request.

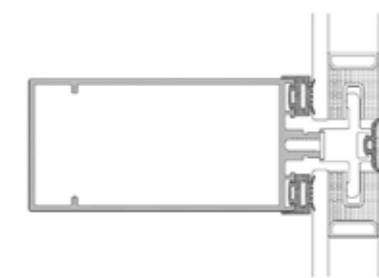
SPECIFICATIONS	STRUCTURALLY GLAZED SYSTEM
<b>Performance &amp; Accreditation</b>	
Uf-Value (Double Glazing)*	1.122 W/m²K - 1.145 W/m²K
Uf-Value (Triple Glazing)**	1.031 W/m²K - 0.986 W/m²K
Green Guide Rating	B - C Rated
Acoustic Performance (dB)	Rw (C,Ctr) 37 (-1,-4) dB
Air Tightness (Pa)	Class 4
Water Tightness (Pa)	Class E1500
Wind Load (Pa)	Class E2400
Security	npd
CWCT Certified	Yes
<b>Configurations</b>	
Opening	Open In & Open Out
Top Hung	•
Side Hung	•
Fixed Light	•
Tilt & Turn	--
Parrallel Opening Vent	•
Single Door	•
Double Door	•
Sliding Door	•
<b>Size Limits</b>	
Max Vent Weight	--
Top Hung	180 Kg
Side Hung	55 Kg
Fixed Light	200 Kg
Tilt & Turn	--
<b>System Features</b>	
Frame Options	52mm
Dual Colour Option	•
Multi-Point Locking	•
Glazing Options	Wet/Dry Glazed
Glazing Thickness	32mm - 40mm

**CAD CROSS SECTION AND THERMAL PROFILE**

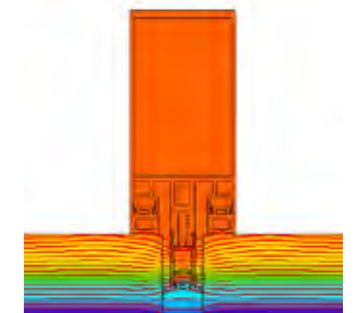
Mullion Detail



Transom Detail



Thermal Profile



\* Further details regarding profile Uf figures are available on request (technical@aluk.co.uk). \*\* Uf-Values based on 0.7 W/m2K triple glazing with warm edge Swisspacer V bar. Sound insulation values are Rw reduction values and are based on tests using acoustic glazing.

Please note: NBS Specifications are available for all products and BIM Components for many. Please visit [www.aluk.co.uk](http://www.aluk.co.uk) to download CAD files, BIM Components and NBS Specifications.