



Innovative cavity solutions
that start with you

EYG commercial & trade
glazing solutions





www.cavalok.com



WHO ARE CAVALOK?

Cavalok are the window and door cavity closer specialists. We supply national house builders, independent builders and consumers with high-quality products and service excellence.

With a strong reputation for innovation and ongoing product development, Cavalok are the market-leading manufacturers and suppliers of insulated cavity closers and window formers. We are dedicated to creating solutions to the ongoing challenge of increasing insulation and thermal values for all types of building - housing, public sector and industrial.

Our professional team will work with you every step of the way, assisting you with reading drawings, arranging take-offs and providing a detailed schedule of works.

You can trust Cavalok to deliver a wide range of industry-leading products sold through Eurocell Building Plastics, Eurocell window fabricators and designated Cavalok customers.

All products are manufactured from post-consumer recycled material, BBA certified, and can be used with masonry, timber and steel construction methods. We also have a national fabrication network.

We understand that, when it comes to construction, there is not a one-size-fits-all solution. That's why we offer a project design consultancy service, finding the perfect product for your needs, and even delivering bespoke closers where required. Our experts will advise you on the newest and most cost-effective solutions for your own project.

Cavalok Building Products

Black Barn, Mythe Farm
Business Centre, Mythe Rd,
Tewkesbury GL20 6EA

T 0870 120 3003
E sales@cavalok.com
W www.cavalok.com



WHAT IS A CAVITY CLOSER?

A Cavalok Closer is an energy-efficient aperture former which enables brick courses to be completed and creates an air-tight receiver for windows and doors.

You can now quickly and cost-effectively close the cavity at window and door openings in almost any size or make-up of wall.

The range features CFC/HCFC free insulation with a Global Warming Potential of zero.

Our closers are manufactured from post-consumer recycled PVC-U. Waste plastic which might otherwise go to landfill is re-processed into high quality, sustainable PVC-U.

THE CAVITY CLOSER SYSTEM FROM CAVALOK

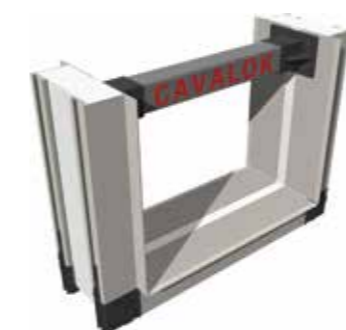
- ▶ House builders' choice for defining opening sizes
- ▶ Closer frames with new and existing ancillaries
- ▶ Market leading thermal performance
- ▶ Rapid fabrication and efficient stock-holding
- ▶ Pre-fabricated frames available nationwide
- ▶ Any cavity size available to special order
- ▶ Acts as a rigid dpc, prevents thermal bridging
- ▶ Closes with continuous zero gwp insulation
- ▶ For PVC-U, wood, metal and composite windows

WHICH PRODUCT IS RIGHT FOR YOU?



Universal Cavity Closer Formers

- ▶ For cavity sizes 50-100mm
- ▶ Use for new build projects
- ▶ Cavity closer is assembled into a window door template
- ▶ Ensures window manufacturer can produce to correct sizes without repeated surveying – saving time and money by reducing rework or snagging
- ▶ Easy to install, use with standard plastic ties to fix into coursework as you build



BigBlok Cavity Closer Formers

- ▶ Cavity sizes from 125mm-300mm
- ▶ Use for new build projects
- ▶ Cavity closer is assembled into a window door template
- ▶ Super-insulating, specially designed to meet the needs of zero carbon
- ▶ Easy to install, use with standard plastic ties to fix into coursework as you build



Hybrid Cavity Closer

- ▶ For wider sized cavities up to 300mm
- ▶ Excellent screw retention for direct window fixing capabilities
- ▶ Enables loading of heavy A rated windows directly over cavity
- ▶ Developed for "Fabrication First" design principles
- ▶ Reinforced with steel for inner and outer leaf support
- ▶ Reduce air leakage with the option of a four sided closer at the head



Flameblok Fire Rated Cavity Closer

- ▶ For cavities up-to 150mm
- ▶ Cavity barrier to Part B, Table A1 of building regulations
- ▶ Reduces fire risk during construction
- ▶ Superior thermal performance to other traditional methods of closing cavities, such as battens in timber frame or returned brickwork
- ▶ Saves labour on site – just one product closes the cavity and fire protects



Trade Closer

- ▶ For cavity sizes 50-100mm
- ▶ Ideal for refurbishment projects
- ▶ Slotted design allows you to cut down the product to fit your cavity width
- ▶ Just one product to hold in stock or in the van, no assembly required
- ▶ Punched flange for easy fixing
- ▶ Easy way to improve the damp proof course when replacing a window

BENEFITS OF CAVALOK CAVITY CLOSERS



Provides a damp proof course



Simplifies brickwork – no return bricks needed



Provides thermal break



Prevents damage from condensation



Improves heat loss and reduces CO₂ emissions



Meets accredited Construction Details regulations



Meets needs of Part L of the building regulations



BIGBLOK CAVITY CLOSER

POST CONSUMER UNIVERSAL CAVITY CLOSER

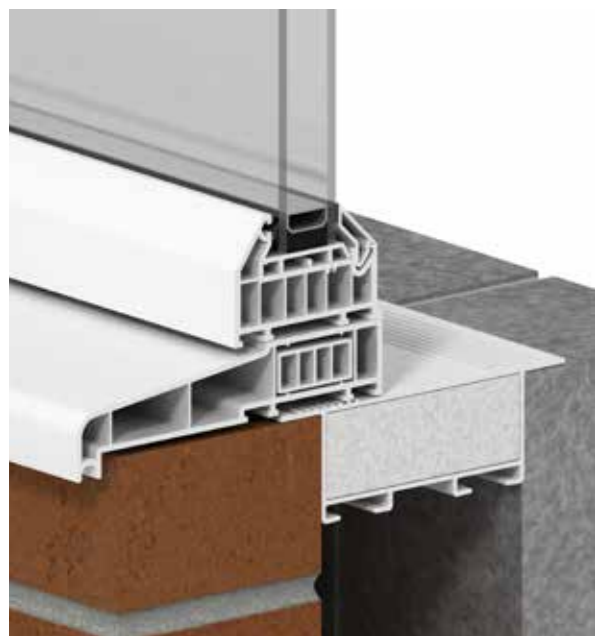
FOR WALL CAVITIES OF 50-100MM WIDE BBA CERTIFIED

Features

- ▶ Universal closer
- ▶ Bracing options
- ▶ Moulded corners
- ▶ Brick wall ties
- ▶ Unique frame hangers
- ▶ Window board receptors
- ▶ Overhead ventilation

Benefits

- ▶ Tailor made to your specification every time
- ▶ Fully approved by the BBA and NHBC
- ▶ Easily fitted in cavities 50-100mm wide
- ▶ Intelligent design fits all window systems
- ▶ Complies with all the latest building regulations



Recognising the growing need for super-insulated homes, Cavalok now offer a super-insulating cavity closer.

The BigBlok system has been designed specifically to fit into the larger cavity sizes which are an increasingly important part of today's new build market.

The BigBlok system spans from 125mm to 300mm cavity widths

The BigBlok range is energy saving, contributes to low U-Value construction and can help achieve high levels in zero carbon needs.

Greater cavity widths demand greater cavity closers



(BBS-125-HOR)
125mm Flat Top



(BBS-150-HOR)
150mm Horizontal Reveal



(BBS-300-HOR)
300mm Flat Top



HYBRID CAVITY CLOSER



STRUCTURAL DOOR SET



Direct load, direct fix

Cill Support Brackets

Illustration shows window in check reveal position

BENEFITS

- ▶ Excellent screw retention for direct window fixing capabilities
- ▶ High Density Insulation enables loading of heavy A rated windows directly over cavity
- ▶ Developed for "Fabrication First" design principles
- ▶ Reinforced with steel for inner and outer leaf support
- ▶ Forms a template to facilitate square and accurate opening for brick laying
- ▶ Ideal for Passive House Design and CSH requirements for wider sized cavities up to 300mm
- ▶ Reduce air leakage with the option of a four sided closer at the head

Product Info

- ▶ Cavlalok 100mm cavity closer with structural foam inserts
- ▶ Ability to direct fix through outer door frame into the cavity closer, removing the reliance on strap fixings and removing any movement that may occur once the door has been installed
- ▶ Thermally efficient, acts as dpc
- ▶ To be used on entrance doors with or without fanlight & french, patio doors & bi-fold doors





FLAMEBLOK FIRE-RATED CAVITY CLOSER

ONLY WITH FLAMEBLOK:

- ▶ FlameBlok creates a continuous fire-rated ring around the opening
- ▶ Rigorously tested for all cavity sizes and construction types
- ▶ Manufactured from 100% post-consumer recycled PVC-U for minimum environmental impact
- ▶ Unique custom foil wrapped mineral wool barrier makes it easier to handle and reduces spread of flame

The testing:

- ▶ Full and rigorous testing carried out by Chiltern International
- ▶ Cavity sizes up to 150mm tested
- ▶ 60 minute integrity and 45 minute insulation in all timber construction
- ▶ 90 minute integrity and 90 minute insulation in masonry
- ▶ Check reveal and flush reveal construction details tested
- ▶ Tested to BS EN 1363 as demanded by building regulations
- ▶ Minimal, 'worst case' construction tested to give confidence that the product performs in reality
- ▶ In testing timber frame failure occurs before product failure
- ▶ Simulates flashover point of fire with 1000°C temperatures sustained for an hour or more

FEATURES AND BENEFITS OF FLAMEBLOK FIRE-RATED CAVITY CLOSER



Cavity barrier to Part B, Table A1 of building regulations



Reduces fire risk during construction



Superior thermal performance



Just one product saves labour on site

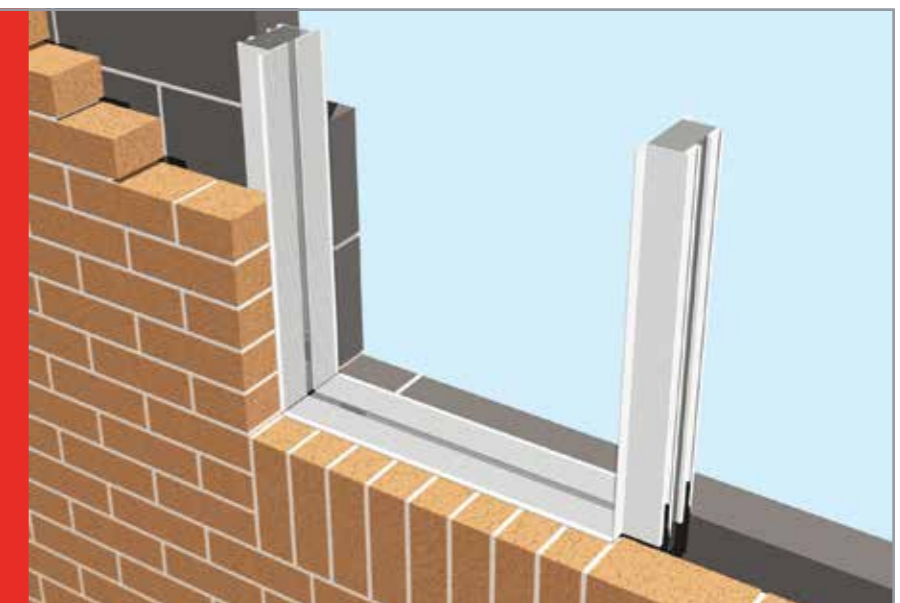
FLAMEBLOK SCENARIO ONE

- ▶ FlameBlok in brick / block construction
- ▶ General wall insulation not shown

Fire test results:

60+
minutes fire integrity

60+
minutes fire insulation



FLAMEBLOK SCENARIO TWO

- ▶ FlameBlok in timber frame construction
- ▶ General wall insulation not shown

Fire test results:

60
minutes fire integrity

45
minutes fire insulation



TRADE CLOSER

Loose-length cavity closer for retro-fitting into new-build or refurbishment cavity walls. Provides damp proof course and thermal break at door and window openings.

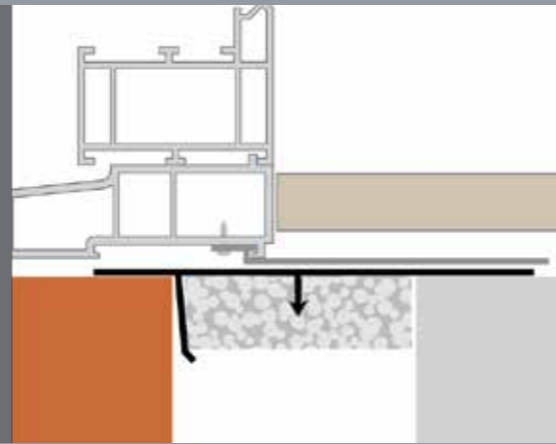


APPLICATION – TRADE CLOSER

In new-build projects where the walls have already been built, or in replacement and refurbishment projects, use the Trade Closer to seal the cavity at wall openings.

Nail fix the Trade Closer to the brick or block walls before final sealant and plasterboard finishing.

Position windows at least 30mm over the cavity for best thermal performance and to meet Accredited Construction Details.

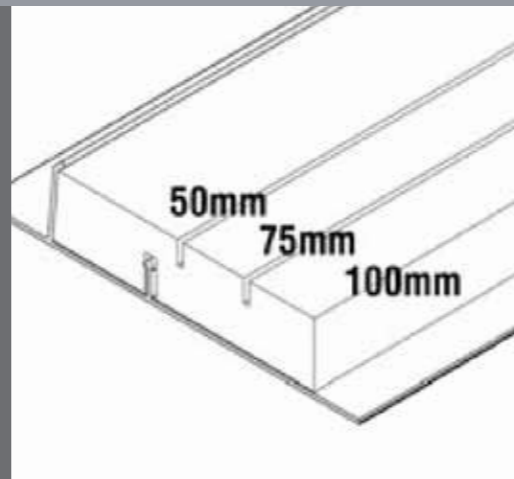


TRIMMING TO SIZE – TRADE CLOSER

In new-build projects where the walls have already been built, or in replacement and refurbishment projects, use the Trade Closer to seal the cavity at wall openings.

Nail fix the Trade Closer to the brick or block walls before final sealant and plasterboard finishing.

Position windows at least 30mm over the cavity for best thermal performance and to meet Accredited Construction Details.



BENEFITS OF TRADE CLOSERS



Meets Accredited Construction Details



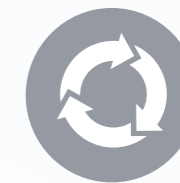
Closes cavity at cills and jambs



Zero global warming potential insulation



Zero ozone depletion potential insulation



Post-consumer PVC-U – highly sustainable



Easy fix - clout nail to brick or blockwork



Trim to your cavity width



Prevents condensation with thermal break



Contributes to energy efficient construction

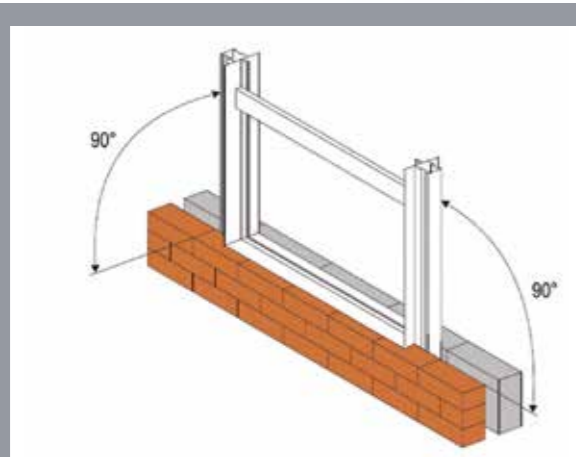


Suitable for new build and refurbishment



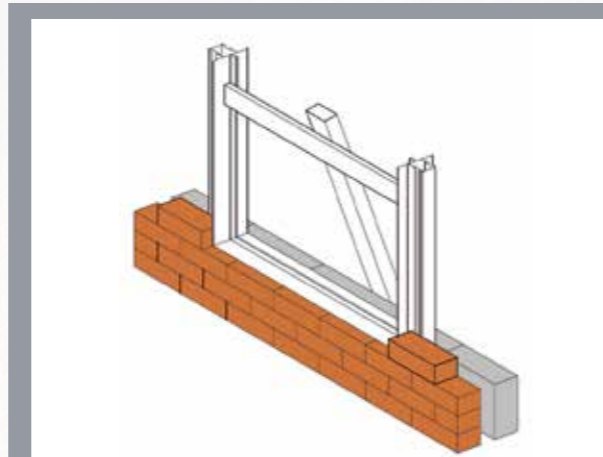
EASY TO INSTALL

Follow these simple steps to install the Fabricator frames



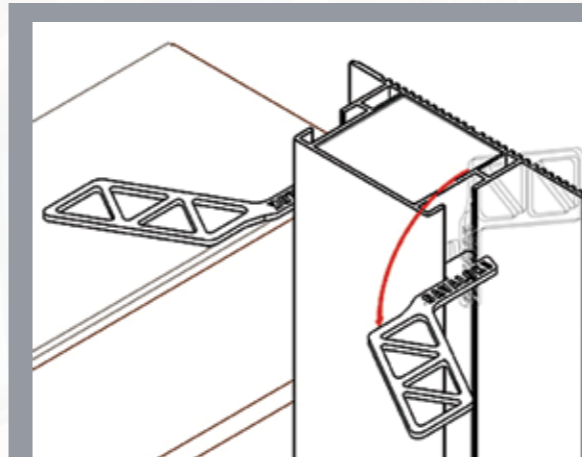
1 CHECK THAT THE CLOSER IS LEVEL AND SQUARE

Follow these simple steps to install the Cavalok Cavity Closer.



2 PROP THE FORMER

Prop the former to ensure it remains plumb, and build up the coursework around the former by one course.



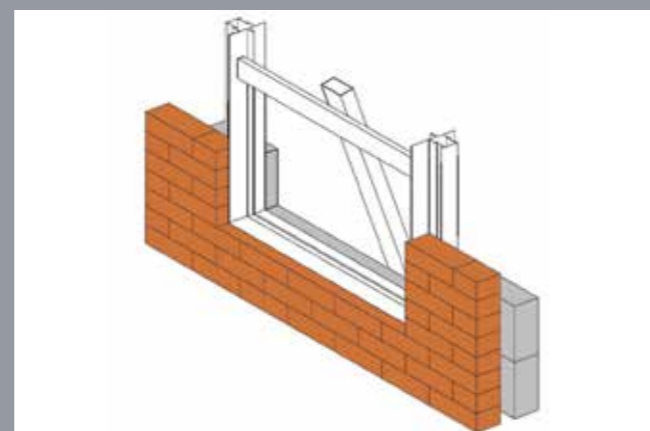
3 INSERT BRICK TIES

Insert a brick ties into the former, rotate by 90° and bed into mortar, on both inner and outer courses.

Throughout the building operation, the closure frame must be periodically checked to ensure that it remains true and square. Any movement or twisting in the frame could result in poor window fit. We recommend the use of a tape and spirit level to ensure that the frame is correctly installed.

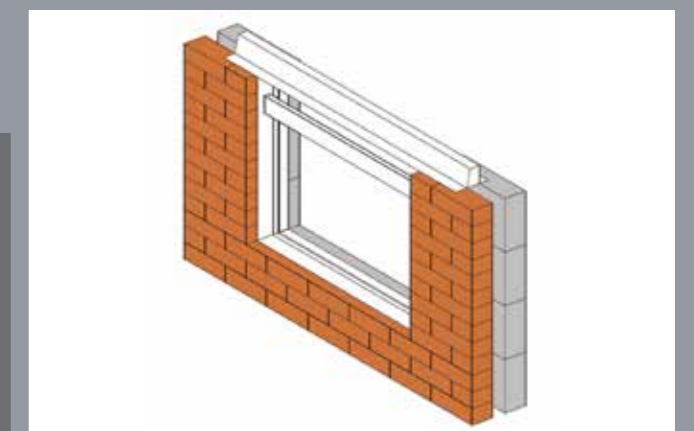
4 CONTINUE TO BUILD THE COURSEWORK

Continue to build the coursework up around the frame in the normal manner, ensuring that the frame remains plumb. Brick ties should be inserted every third outer course, and every other inner course. (A minimum of three per vertical).



5 INNER AND OUTER COURSES

Build the inner and outer courses up to the lintel height. The lintel should be set 5mm over the former. Locate the lintel in position and bed into mortar. Allow mortar to set before removing the props and brace.



SPECIFYING



BRICK TIES

Brick ties secure the cavity closer to the inner and outer coursework. They locate within the mortar joints, and should be inserted every third outer course and every other inner course – with at least three per vertical. They fit within pre-designed sections within our cavity closer.



STRAP FIXINGS

Used with a wide range of 70mm UPVC windows and ideal for larger cavity widths, these galvanised mild steel straps secure the window or door to the inner leaf of the building. They feature an innovative rotate and lock mechanism.



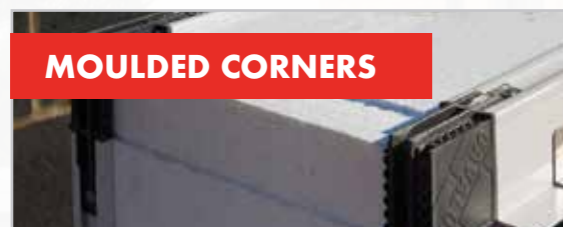
CORNER BRACE

Designed to increase the support and rigidity of larger cavity closer frames during transportation and installation, this recycled ABS moulding can also be used as a bracing/support system for flag window designs. Screw holes within the moulding allow for a quick and easy direct fix to the cavity closer frame.



BOOT & BRACE

This advanced brace belt and bar has been designed to brace a cavity closer frame during transportation and installation.



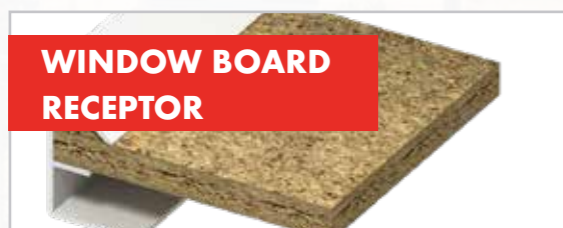
MOULDED CORNERS

Click in Corners and Big Blok corners are cleverly designed so that frames can be completed quickly and easily.



HEAD VENT

UPVC extruded overhead ventilation for UPVC window systems, complies with Part F regulations and can be used with the major suppliers of vents and grills.



WINDOW BOARD RECEPTOR

Designed to accommodate both 10mm and 25mm internal window boards.



THIN JOINT BRICK TIE

This brick tie has been specifically design for thin joint construction for the thin and quick drying mortar joints. 0.6mm thick zinc coated metal.

CAVITY CLOSERS

The indispensable building component – 100% post-consumer recycled UPVC Cavity Closers

Cavity closers have become a critical building component that's now widely used in all commercial and residential new-build projects. They are undoubtedly the simplest and most effective way to seal cavities around wall openings and provide a rigid template for bricklaying and window or door installation.

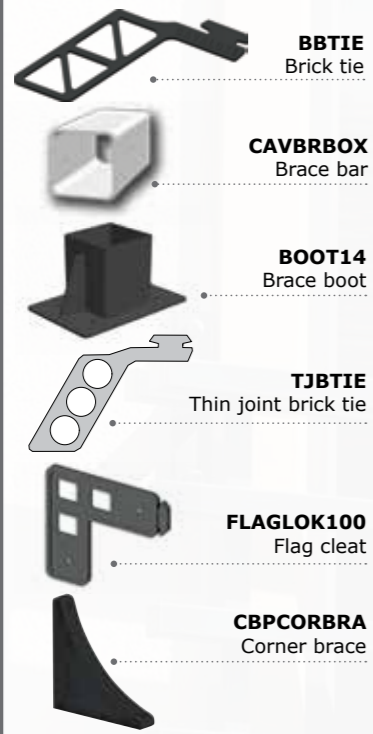
ACCREDITATION



Accredited Construction Details for Part L (KEY)

- ▶ *R-min Value to be no less than 0.45_m²K/W
- ▶ *Minimum frame overlap to be 30mm
- ▶ Approved Document B (Fire safety) - (This is our understanding)
- ▶ *Domestic dwelling comprising of ground floor and first floor (masonry construction) only needs a non fire rated cavity closer
- ▶ *Masonry construction more than two stories or of timber construction they must then use a fire barrier (fire rated closer or sock) or wooden pinch baton
- ▶ *Multiple dwellings within one unit, the builder has to provide a fire barrier for continuation of a compartmental or party wall, this also applies to terraced housing
- ▶ Lambda 90/90 (BBA Testing)
- ▶ *This process ensures that the declared Thermal Conductivity relates to 90% of production within a 90% confidence level and can be used as a design value over a 25 year life span.
- ▶ *Relating to U-Values and Psi values
- ▶ BRE IP8/08
- ▶ *The R-Min (Thermal Resistance Path) values are currently calculated using the BRE standard IP8/08
- ▶ Scotland - Standard 2.4
- ▶ *Every building must be designed and constructed in such a way that in the event of an outbreak of fire within the building, the unseen spread of fire and smoke within concealed spaces in its structure and fabric is inhibited

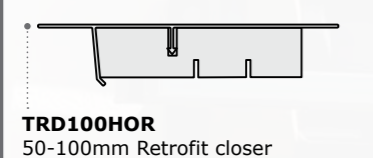
Cavity closer frame components



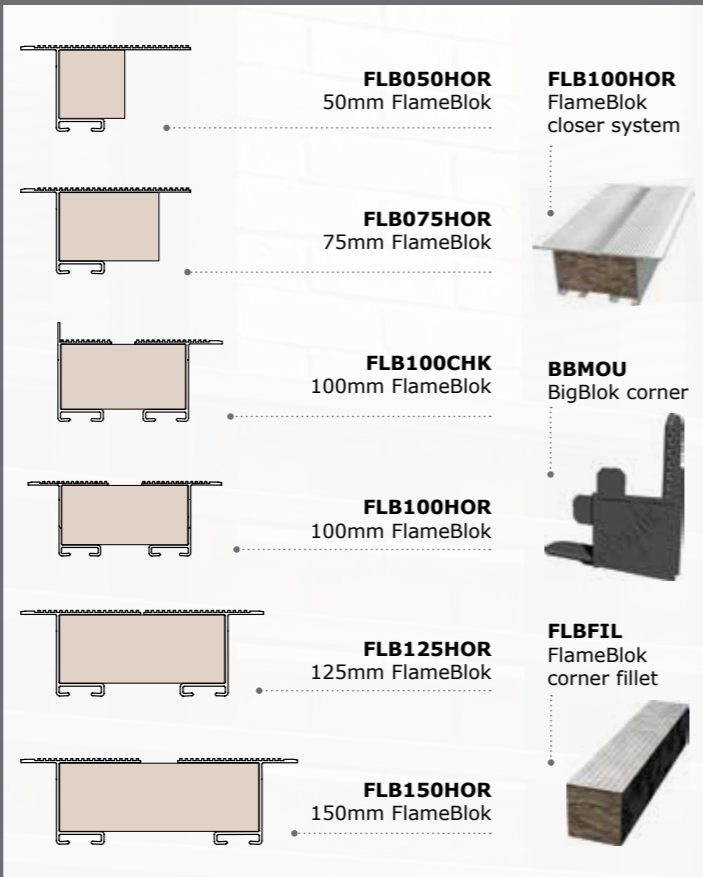
Headvent system



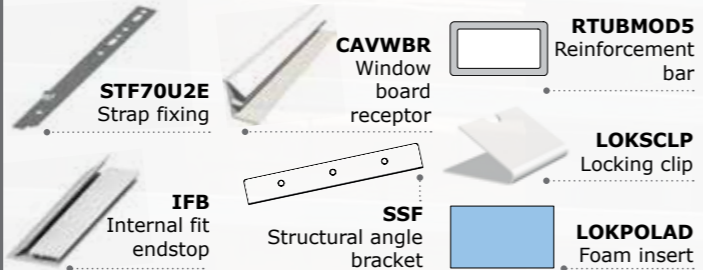
Trade closer system



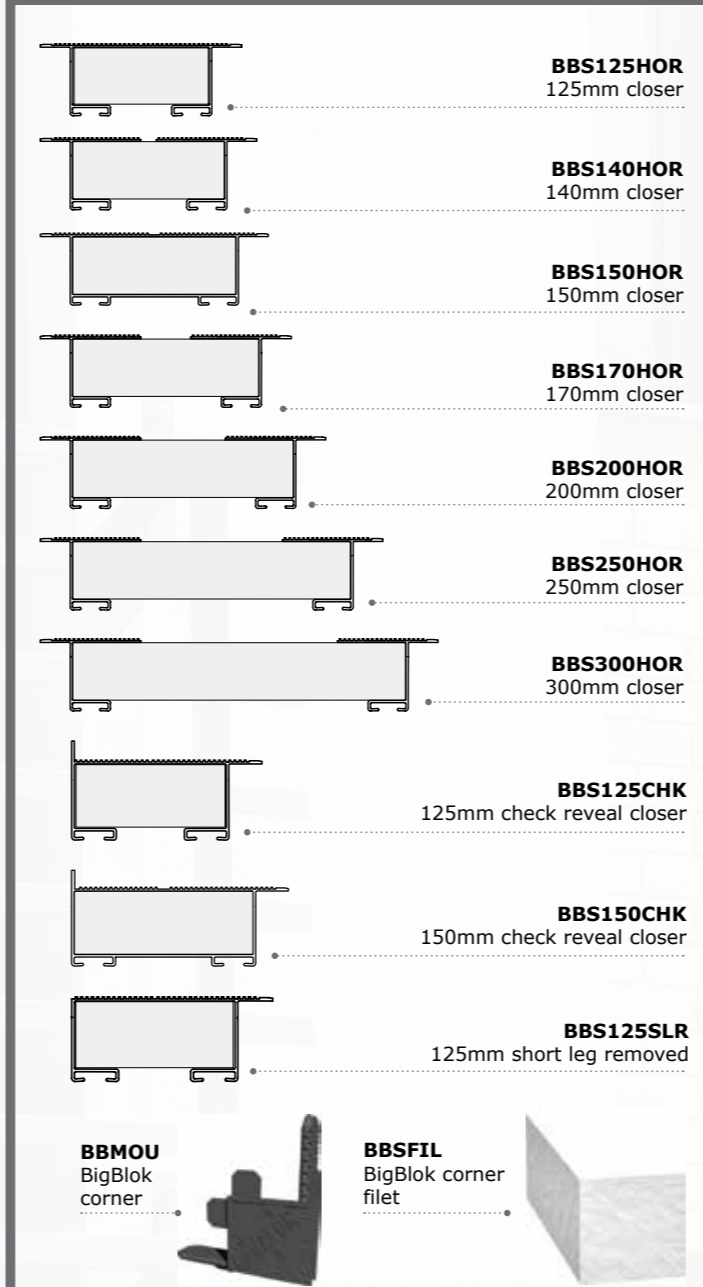
FlameBlok closer system



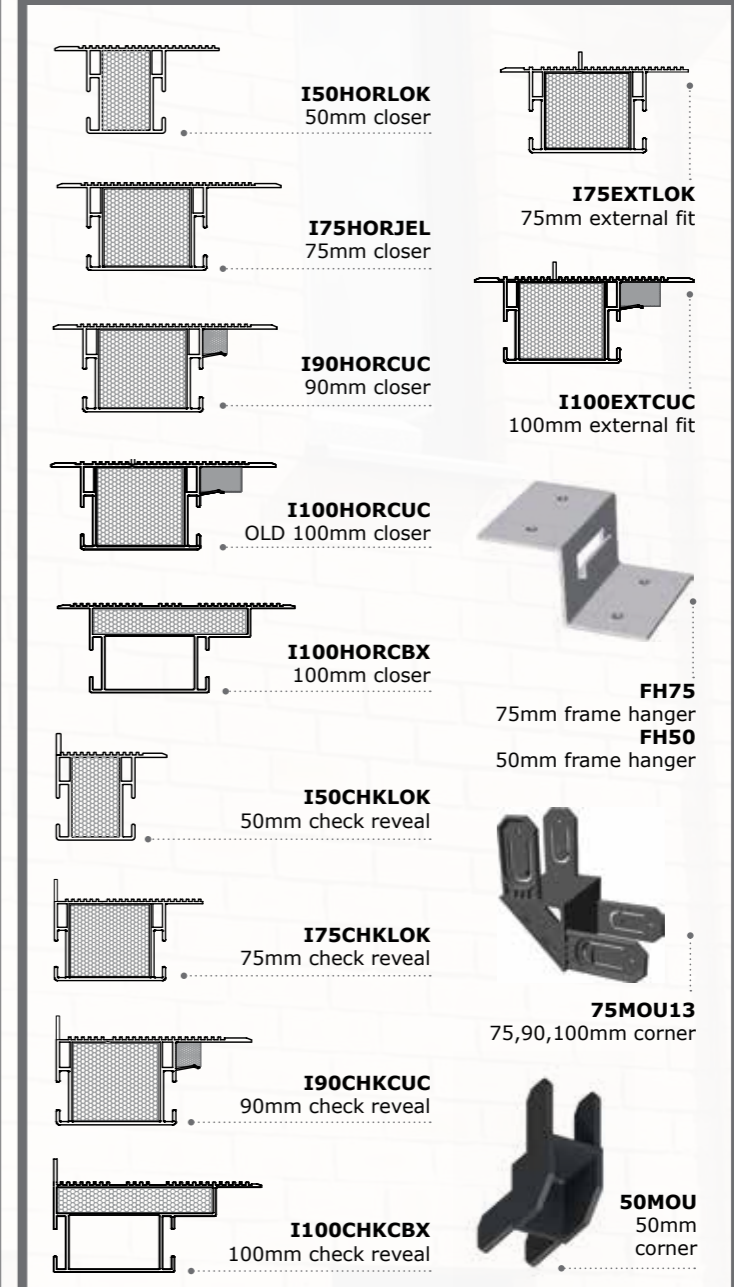
Ancillaries



BigBlok closer system



Universal closer system



CAVALOK SUSTAINABILITY

Cavalok was the first in its field to offer 100% post-consumer recycled cavity closers – and we continue to lead the way in recycled building materials



1

COLLECT RECLAIMED PVC-U WINDOWS

Windows which might otherwise go to landfill are taken to our advanced recycling facility



2

SEGREGATE & REGRIND

Metal, glass, gasket and plastics are reground and separated out to be individually processed



3

PELLETISE INTO PVC-U GRANULES

The PVC-U chippings are granulated to a uniform size, colour separated, cleaned, ready to be extruded into new cavity closers

4

EXTRUDE AS 100% RECYCLED PRODUCT



5

INSTALL

The material's lifecycle begins again. PVC-U can be recycled efficiently numerous times for hundreds of years of re-use!



Recycled Building Materials

Keen to adopt leading environmental best practice, we conducted extensive research and development into the use of post-consumer PVC-U, and were able to secure a reliable source of this waste material. Cavalok is a brand with environmental principles. The company pioneered the use of recycled post-consumer PVC-U waste and, today, all of our cavity closers are manufactured from this sustainable material. Using a waste material to produce an energy saving product makes Cavalok cavity closers the ideal sustainable product.

What is post-consumer PVC-U?

Post-consumer PVC-U is derived from old window and door frames that have been removed from buildings. The components of the window are separated for recycling. The PVC-U is granulated, cleaned, reprocessed and extruded by Cavalok to create new cavity closers and other recycled building materials.

A truly sustainable solution

It means that all Cavalok products are manufactured from material that would otherwise end up in landfill sites. PVC-U can withstand repeated recycling, enabling it to deliver hundreds of years of service through re-use.

COMPACFOAM

COMPACFOAM is a modern construction and insulation material made from mono-material EPS, which combines stability and good heat insulation with very low dead weight.

It is a flexible, applicable construction element and at the same time can be used as a high-quality insulation material. This combination makes it particularly economical.

With its features, COMPACFOAM introduces new possible solutions for modern construction. An additional advantage: With this high-tech product, customary wooden screws can be firmly screwed without the need for pre-drilling.

This creates freedom in its application. compacfoam is available in five different density classes. In order to determine the corresponding class, please use the following table or contact us.



COMPACFOAM is extremely versatile, amongst other reasons:

Windows and Doors

(Support profile, plate connection profile, window scantlings, pre-wall installation, etc.)

Facades

(Curtain-wall facing thermal partition, prefabricated building members in WDVS)

Vehicle Manufacturing

(Lightweight panels, structural parts, amongst other things)

Technical information and delivery method

Sintered high-density EPS	CF100	CF150	CF200	CF300	CF400	Norm
Standard sizes in mm	2350 x 550	2150 x 550	1980 x 550	1700 x 400	1550 x 400	
Compressive strength (N/mm ²) with 10% compression	1,4	1,9	3,5	6,4	9,7	EN 826
Permissible stress (N/mm ²)	0,38	0,78	1,01	2,39	4,18	Internal
E-Module (N/mm ²)	44	85	102	188	277	Internal
Thermal conductivity (N/mm ²)	0,0387	0,0423	0,0459	0,0531	0,0650	EN 12667
Steam diffusion coefficient	~25					EN 12086-1
Fire performance	E (B2) normal flammable					EN 13501-1
Maximum water absorption 28 days	~5%					EN 12087

FEATURES OF COMPACFOAM

- Screwable**: Represented by a screw icon.
- Best heat insulation**: Represented by a flame icon.
- Dimensionally stable**: Represented by a square with an upward-pointing arrow.
- Unlimited long-term stability**: Represented by a padlock icon.
- Resistant to frost**: Represented by a snowflake icon.
- Processable with saw**: Represented by a circular saw blade icon.
- Ductile**: Represented by a triangle with three circles at its vertices.
- Vapour permeable**: Represented by a water droplet icon.
- Extremely durable**: Represented by a chain link icon.
- Lightweight**: Represented by a feather icon.
- Recyclable**: Represented by a circular arrow icon.
- Biocide-free**: Represented by a leaf with a diagonal slash through it.



Cavalok Building Products, Black Barn, Mythe Farm Business Centre,
Mythe Road, Tewkesbury GL20 6EA

T 0870 120 3003

E sales@cavalok.com

W www.cavalok.com

EYG commercial & trade
glazing solutions

