

EYG Garden Rooms



Garden rooms can transform your home, the possibilities are limitless. From a garden office to a summerhouse for entertaining, a home gym, a garden studio for getting creative, or even to set up your own small business working from home. Create a place of comfort, shelter, peace, and tranquility.

FEATURES

DURABLE LOW
MAINTENANCE
RUBBER ROOF

MAINTENANCE-
FREE COMPOSITE
CLADDING

CHOICE OF DOOR
OPTION STYLES
AND COLOURS



11.8m²

2800mm

4200mm

UNIQUE CORNER OR
SIDE WINDOW



Ultra durable uPVC frame
For a long-lasting room that's built to last.



Ultra-secure locks
A multi-point locking system keeps your things safe.



Maintenance-free cladding
Choose from a range of six colours.



Lasting weatherproof roof
EPDM rubber to withstand any weather.



Optional corner window
Available when paired with French, Sliding, Patio or Bi-folding Doors.



Electric kit included
1100w electric radiator, consumer unit, power sockets, and internal & external lights.

SIZE GUIDE



Our garden rooms are designed on 1050mm, 700mm and 350mm internal modules, plus a 300mm canopy. The doors are fixed sizes as per contract & survey.

As a bespoke product, your new garden space size can be customised to your needs.

All measurements are internal. Request a FREE quote and let us take care of the rest.

Here are some examples of possible sizes:

2100 x 2100 3500 x 3500 3500 x 4900

4.4m²

12.2m²

17.1m²

MAKE IT TRULY YOURS

PICK THE WALLS

Choose between uPVC panelling and satin glass panelling. Both maintenance free and long lasting. Easy to clean and decorate. Select between the 'New England' style of uPVC and a more modern and airy finish of satin glass.



VINYL FLOORING

Our glue-down Luxury Vinyl Tile is a flooring material created by combining 100% Virgin PVC plus a plasticising agent, expertly crafted for use in both the home and office environment.

It makes for a super durable and easy to clean surface that will absorb noise and vibrations.

Choose from a wide range of wood and stone effect finishes.

CLADDING

Customise your Garden Room exterior with 6 cladding options and Scandi Oak vertical panelling.

The colours and finishes have been carefully selected to be able to blend nicely into any setting. Go bold with Anthracite Grey or all natural with Scandi Oak. Do it your way.

All cladding comes with 10-year warranty, giving you the confidence of a long lasting product, both in colour and durability.



CLOSE IT UP

Slide them, fold them, open wide. It's up to you how you'll enter and exit your very own Garden Room. You can pick from 3 types of doors we provide - French, Bi-Fold & Sliding Patio Doors. Different colourways are available.

You can also opt in for a side storage option as an attachment to your new garden retreat.



AND TOP IT OFF

All EYG Garden Rooms come with an extremely long lasting and sustainable EPDM covered roof. Our rubber roofs provide you with protection from all types of harsh weather, while insulating the inside of your retreat.

And if you're feeling fancy you can opt in for a grass effect roof to nicely blend in with the surroundings.



OUR BRANCHES

East Yorkshire, Head Office
Dairycoates Industrial Estate,
Wiltshire Road
Hull, HU4 6QQ
Tel: 01482 561101

North Yorkshire
1 Salter Road
Eastfield Industrial Estate
Scarborough, YO11 3UZ
Tel: 01723 507152

Newark Road
Pennells Garden Centre
South Hykeham
Lincoln, LN6 9NT
Tel: 01522 696105

South Yorkshire
Walkers Nurseries Garden Centre
Mosham Road, Blaxton
Doncaster, DN9 3BA
Tel: 01302 244405

Spalding
40 Commercial Road
Spalding,
PE11 2HA
Tel: 01775 720058

0800 181 888 | info@eygwindows.co.uk | www.eygwindows.co.uk

GARDEN ROOM INSPIRATIONS



2800mm
.....
2800mm
.....
7.8m²



2800mm
.....
2100mm
.....
5.9m²



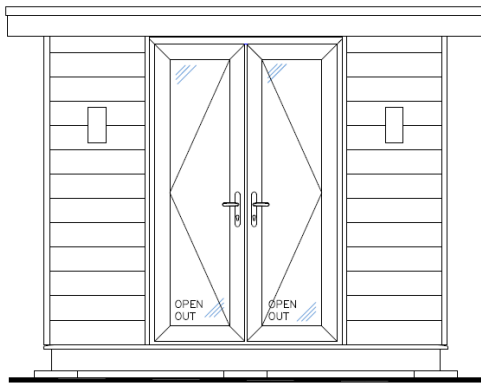
4200mm
.....
3500mm
.....
14.7m²



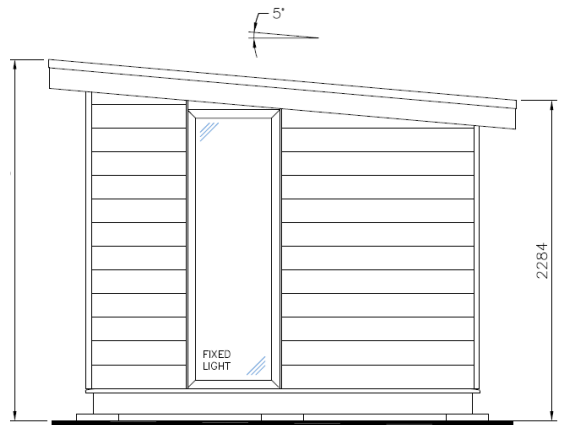
3500mm
.....
2800mm
.....
9.8m²



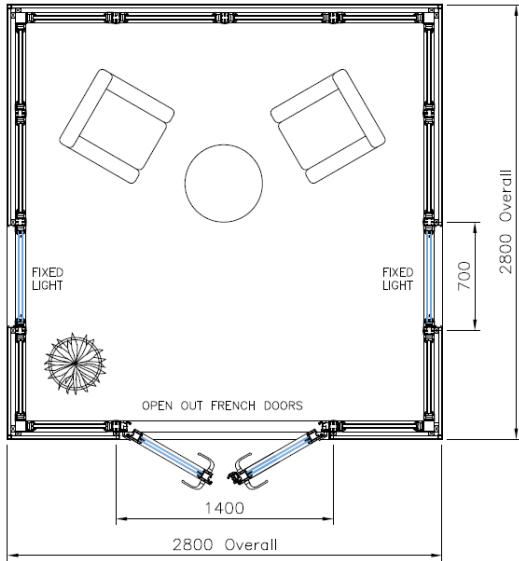
2100mm
.....
2100mm
.....
4.4m²



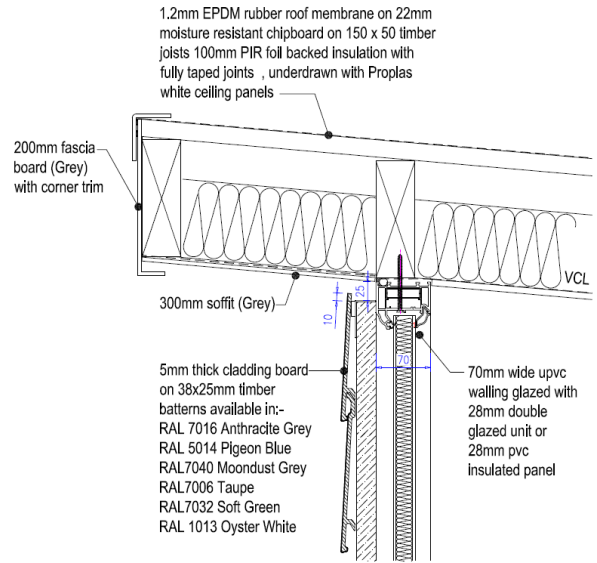
Front Elevation



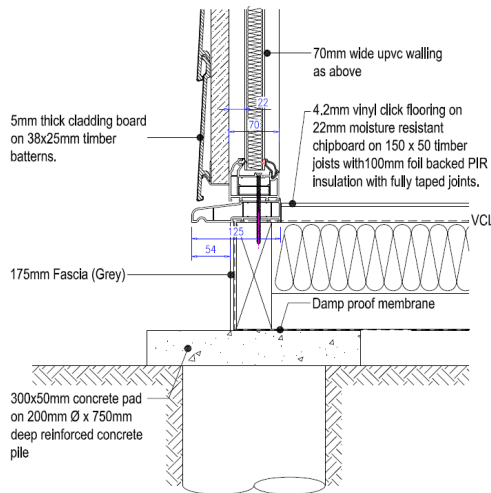
Side Elevation



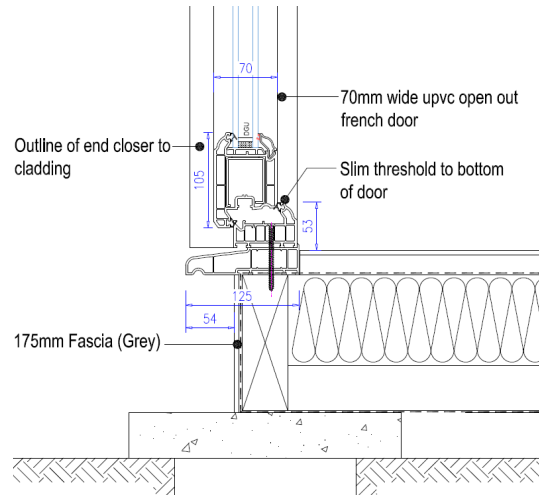
General Arrangement



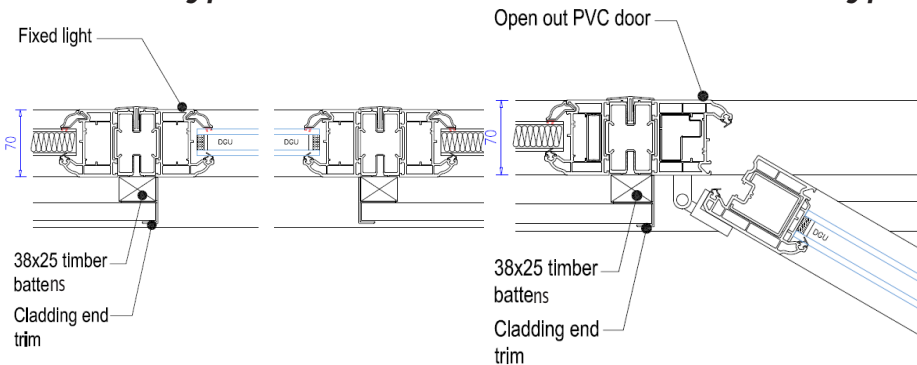
Typical Head Detail



Typical Base Detail

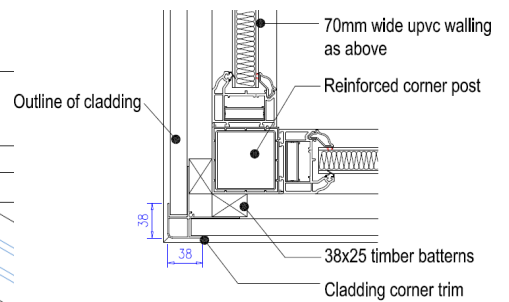


Typical Door Treshold Detail



Typical Window Detail

Typical Door Detail



Typical Corner Post Detail